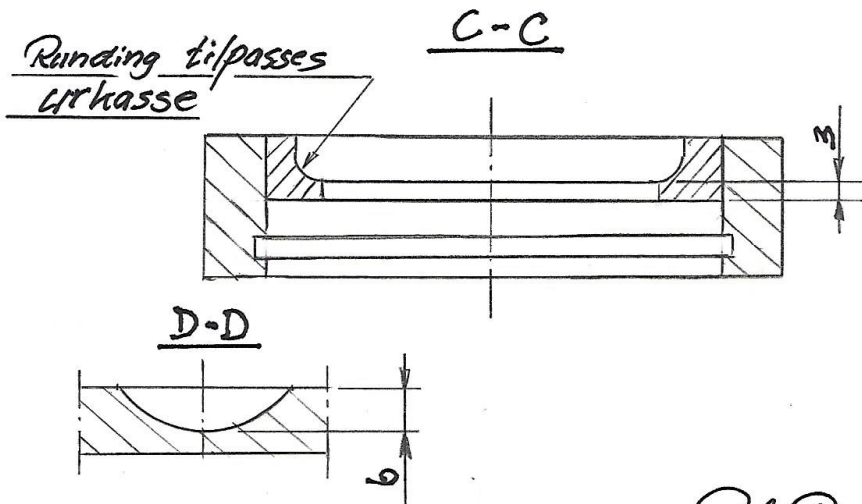
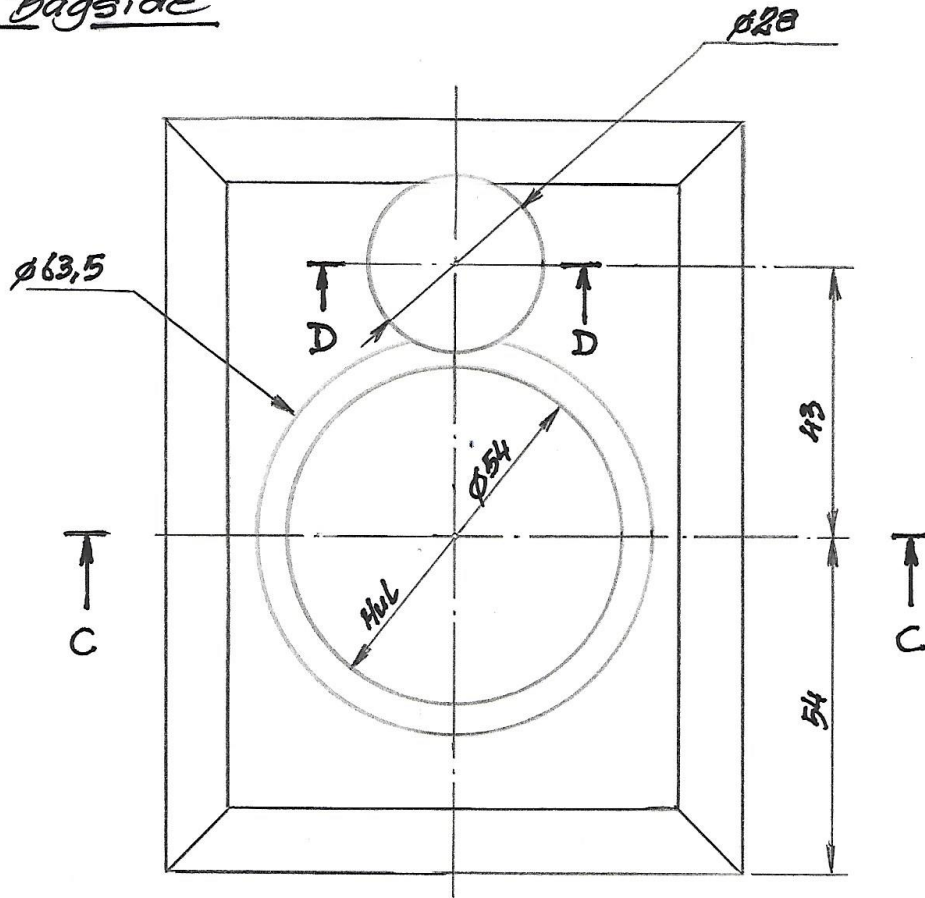




Jens Olsens Lommeur  
Top- og mellemstykke  
Bagside

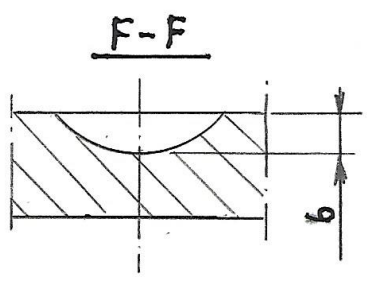
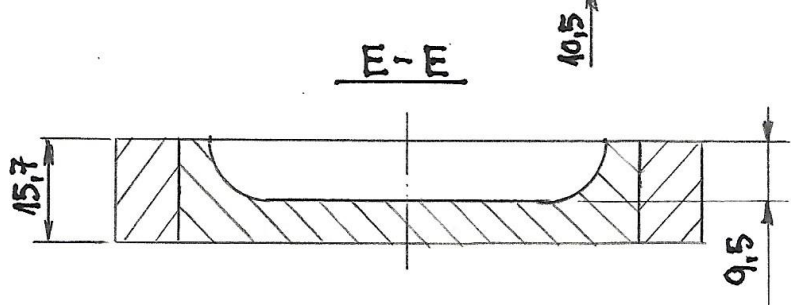
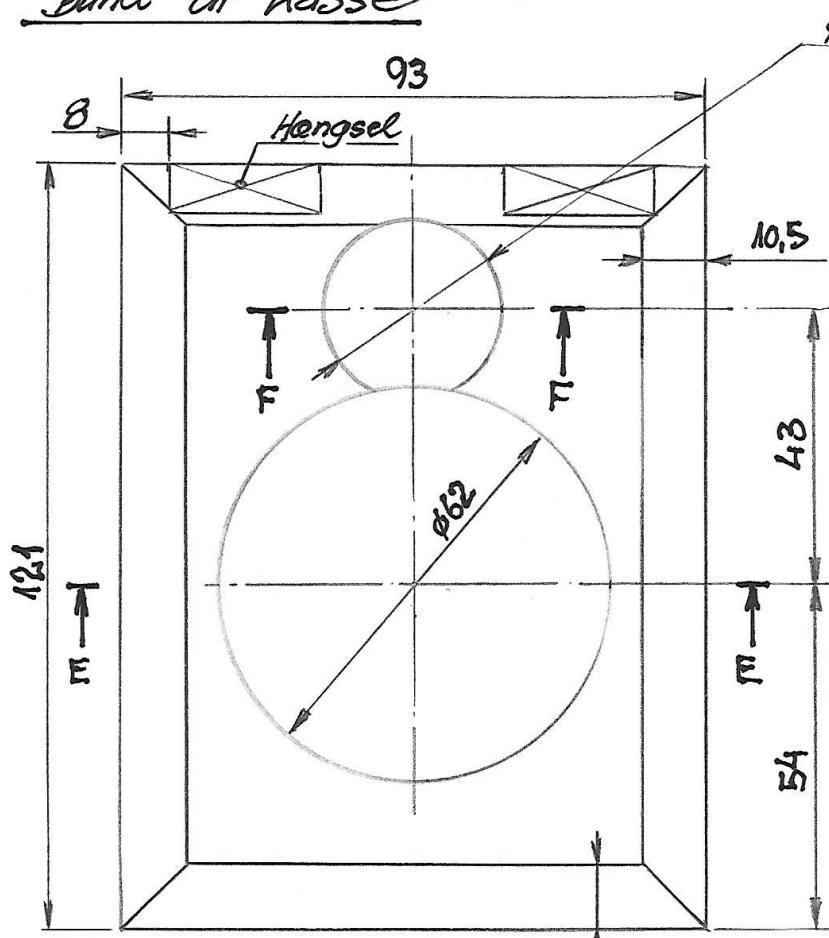
2/6



Paul Darnell  
2021

Jens Olsens Lommeur  
Bund of kasse

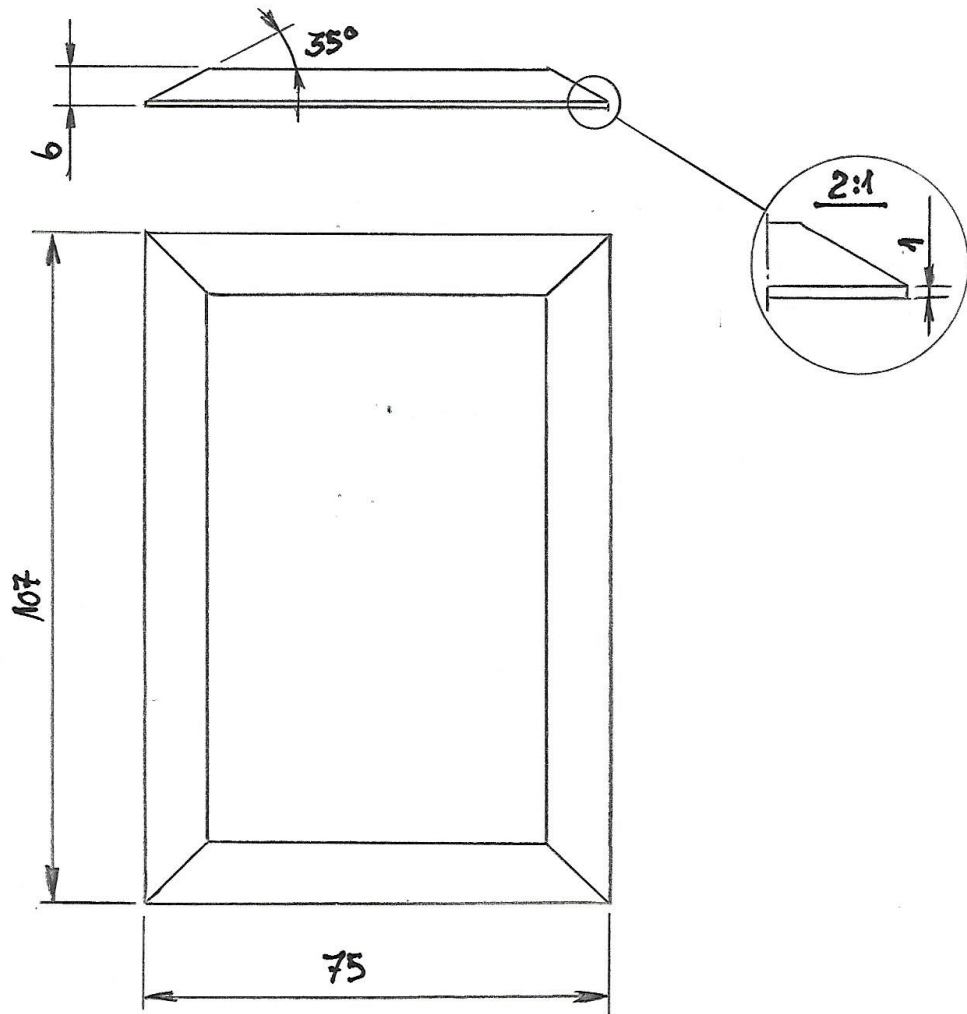
3/6



Paul Dornell  
2021

Jens Olsens Lommeur  
Facetslebte glas til kasse

4/6



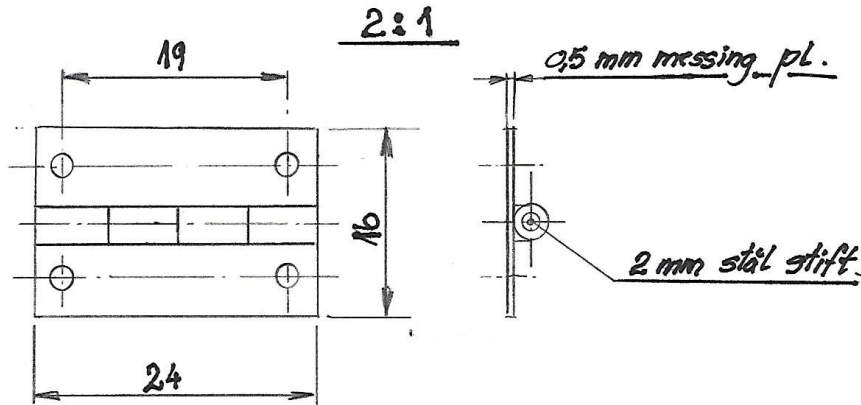
Tegningen viser glasset til den originale kasse.  
En moderne facetslibning vil sandsynligvis  
udføres lidt anderledes, hvorfor noterne  
hvori glasset monteres, skal indrettes  
herefter.

Poul Darnell  
2021

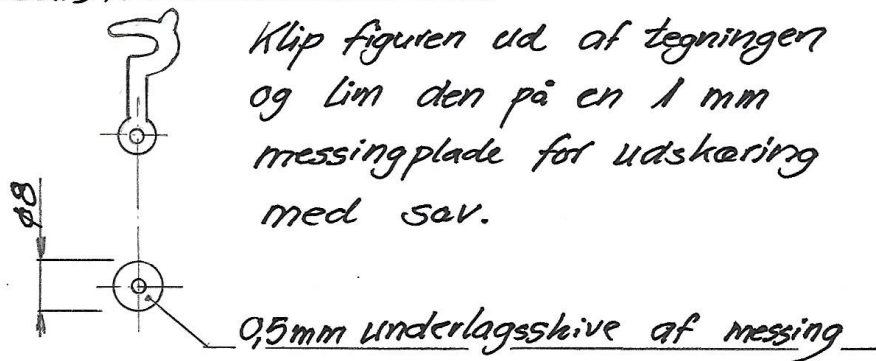
Jens Olsens Lommeur  
Beslag til kasse m.m.

5/6

Hængsler. 2 stk som vist:



Lukketryk, vist nedenfor 1:1:



Placering af lukketryk på kasse - se foto

Lakering af kasse

Kassen lakeres med French Polish

Dette gøres nemmest med produktet:

"Easy French Polish" fra firmaet LIBERON.

Paul Darnell  
2021



6/6

## Easy French Polish

- Easy to use French polish that produces great results quickly
- Ideal for beginners to furniture restoration
- Suitable for use on small surfaces
- Available in clear for a natural effect



<b>USAGE</b> Interior	<b>COVERAGE</b> 1 L 8-12 m <sup>2</sup>	<b>APPLICATION</b> Brush	<b>DRYING TIME</b> 3-4 hours	<b>TOOL CLEANING</b> Methylated Spirits
--------------------------	---	-----------------------------	---------------------------------	--

### Product use

Liberon Easy French Polish is ideal for use on furniture, carved woodwork and artefacts in rare or exotic woods. Easy French Polish Clear will beautifully enhance the wood's natural finish.

### Preparation

Ensure the surface is clean and bare, removing any wax finishes with Liberon Wax and Polish Remover and any varnish with Liberon Fine Wood Stripper. Sand with extra fine abrasive paper and remove any dust with a tack cloth.

### Application

Using a good quality brush or cloth apply a thin coat of Liberon Easy French Polish. Work with the grain of the wood and avoid overlapping between strokes. Allow a drying time of 3 to 4 hours between coats. Gently rub down the dried coat using extra fine abrasive paper or Ultra Fine (0000) Steel Wool for a smooth surface. Use a tack cloth to remove any dust.

Apply as many coats as necessary, following the same instructions. Three to four coats are usually sufficient to achieve a quality finish.

**Important:** Always test product first on a spare surface or inconspicuous area for colour, compatibility and end result.

### Liberon Advice

- Best results are on small to medium sizes pieces as the product dries quickly. We recommend practicing on small pieces before applying to a larger surface.
- Use a good quality flat lacquer brush and check for loose bristles as they can spoil the finish.
- Always work with the grain of the wood when applying Easy French Polish or when sanding the surface.
- For a higher gloss finish use Liberon Burnishing Cream once the last coat has hardened for at least 7 days.
- French Polishes are best applied in a warm dust-free environment.

### Colours

Clear

### Packaging

Easy French Polish is available in 250 ml and 500 ml containers.

### Health and Safety

Highly flammable. Flash point below 22°C. Keep out of the reach of children. Keep away from sources of ignition. No smoking. Do not empty into drains. Take precautionary measures against static discharges. Use only in well-ventilated areas. If swallowed do not induce vomiting; seek medical advice immediately and show this container or label.